

AV28S2EKGR
AV28S2EKBL
AV28S2EIGR
AV28S2EIBL

JVC

SCHEMATIC DIAGRAMS

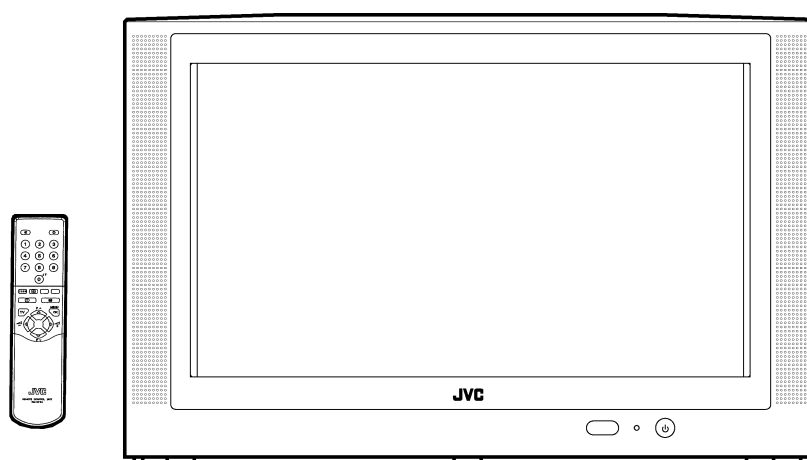
COLOUR TELEVISION

BASIC CHASSIS

JK

AV28S2EKGR AV28S2EKBL
AV28S2EIGR AV28S2EIBL

CD-ROM No.SML200103



CONTENTS

- NOTE ON USING CIRCUIT DIAGRAMS 2-1
- SEMICONDUCTOR SHAPES 2-2
- BLOCK DIAGRAM 2-3
- CIRCUIT DIAGRAMS 2-5
- PATTERN DIAGRAMS 2-17

AV28S2EKGR/AV28S2EKBL AV28S2EIGR/AV28S2EIBL STANDARD CIRCUIT DIAGRAM

NOTE ON USING CIRCUIT DIAGRAMS

1. SAFETY

The components identified by the Δ symbol and shading are critical for safety. For continued safety replace safety critical components only with manufactures recommended parts.

2. SPECIFIED VOLTAGE AND WAVEFORM VALUES

The voltage and waveform values have been measured under the following conditions.

- (1) Input signal :PAL Colour bar signal
 - (2) Setting positions of each knob/button and variable resistor :Original setting position when shipped
 - (3) Internal resistance of tester :DC 20k Ω /V
 - (4) Oscilloscope sweeping time :H \Rightarrow 20 μ S/div
:V \Rightarrow 5mS/div
:Others \Rightarrow Sweeping time is specified
 - (5) Voltage values :All DC voltage values
- * Since the voltage values of signal circuit vary to some extent according to adjustments, use them as reference values.

3. INDICATION OF PARTS SYMBOL [EXAMPLE]

- In the PW board :R1209 \rightarrow R209

4. INDICATIONS ON THE CIRCUIT DIAGRAM

(1) Resistors

● Resistance value

- No unit :[Ω]
- K :[K Ω]
- M :[M Ω]

● Rated allowable power

- No indication :1/4[W]
- Others :As specified

● Type

- No indication :Carbon resistor
- OMR :Oxide metal film resistor
- MFR :Metal film resistor
- MPR :Metal plate resistor
- UNFR :Uninflammable resistor
- FR :Fusible resistor

*Composition resistor 1/2 [W] is specified as 1/2S or Comp.

(2) Capacitors

● Capacitance value

- 1 or higher :[pF]
- less than 1 :[μ F]

● Withstand voltage

- No indication :DC50[V]
- AC indicated :AC withstand voltage [V]
- Others :DC withstand voltage [V]

*Electrolytic Capacitors

47/50[Example]:Capacitance value [μ F]/withstand voltage[V]

● Type

- No indication :Ceramic capacitor
- MY :Mylar capacitor
- MM :Metalized mylar capacitor
- PP :Polypropylene capacitor
- MPP :Metalized polypropylene capacitor
- MF :Metalized film capacitor
- TF :Thin film capacitor
- BP :Bipolar electrolytic capacitor
- TAN :Tantalum capacitor

(3) Coils

- No unit :[μ H]
- Others :As specified

(4) Power Supply

- :B1
- :B2
- :9V
- :5V

*Respective voltage values are indicated

(5) Test point

- :Test point
- :Only test point display

(6) Connecting method

- :Connector
- :Wrapping or soldering
- :Receptacle

(7) Ground symbol

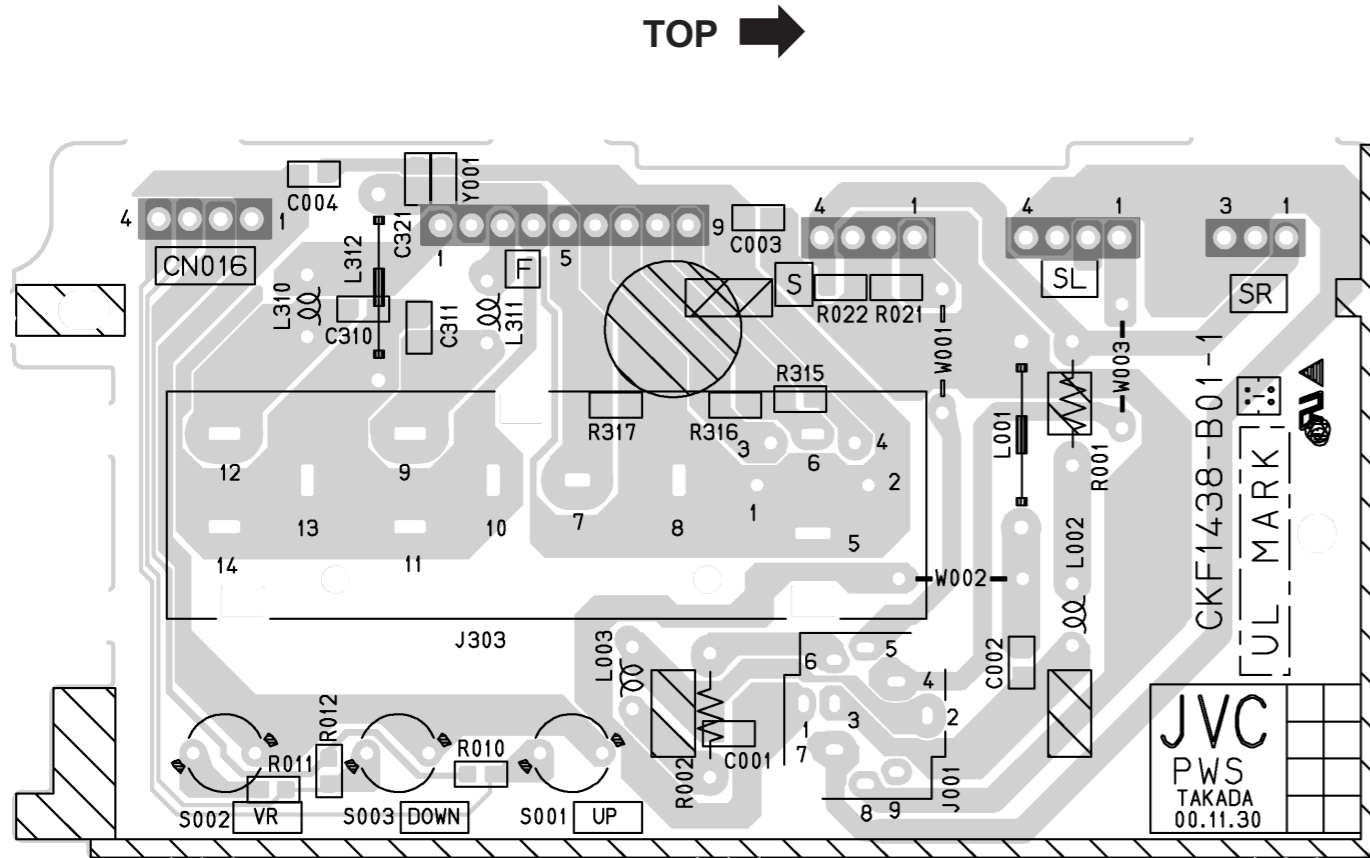
- :LIVE side ground
- :ISOLATED(NEUTRAL) side ground
- :EARTH ground
- :DIGITAL ground

5. NOTE FOR REPAIRING SERVICE

This model's power circuit is partly different in the GND. The difference of the GND is shown by the LIVE : (\perp) side GND and the ISOLATED(NEUTRAL) : (\neq) side GND. Therefore, care must be taken for the following points.

- (1) Do not touch the LIVE side GND or the LIVE side GND and the ISOLATED(NEUTRAL) side GND simultaneously. If the above caution is not respected, an electric shock may be caused. Therefore, make sure that the power cord is surely removed from the receptacle when, for example, the chassis is pulled out.
- (2) Do not short between the LIVE side GND and ISOLATED(NEUTRAL) side GND or never measure with a measuring apparatus (oscilloscope, etc.) the LIVE side GND and ISOLATED(NEUTRAL) side GND at the same time. If the above precaution is not respected , a fuse or any parts will be broken.

◇ Since the circuit diagram is a standard one, the circuit and circuit constants may be subject to change for improvement without any notice.



CONTENTS

SEMICONDUCTOR SHAPES 2-2

BLOCK DIAGRAM 2-3

CIRCUIT DIAGRAMS

MAIN PWB CIRCUIT DIAGRAM 2-5

POWER & DEF PWB CIRCUIT DIAGRAM 2-9

AV SEL. PWB CIRCUIT DIAGRAM 2-11

FRONT CONTROL PWB CIRCUIT DIAGRAM [..... 2-13

CRT SOCKET PWB CIRCUIT DIAGRAM 2-15

PATTERN DIAGRAMS

MAIN PWB PATTERN 2-17

POWER & DEF PWB PATTERN 2-19

AV SEL. PWB PATTERN 2-21

CRT SOCKET PWB PATTERN 2-22

FRONT CONTROL PWB PATTERN 2-23

SIDE CONTROL PWB PATTERN 2-24

SEMICONDUCTOR SHAPES

TRANSISTOR

BOTTOM VIEW	FRONT VIEW				TOP VIEW
					CHIP TR

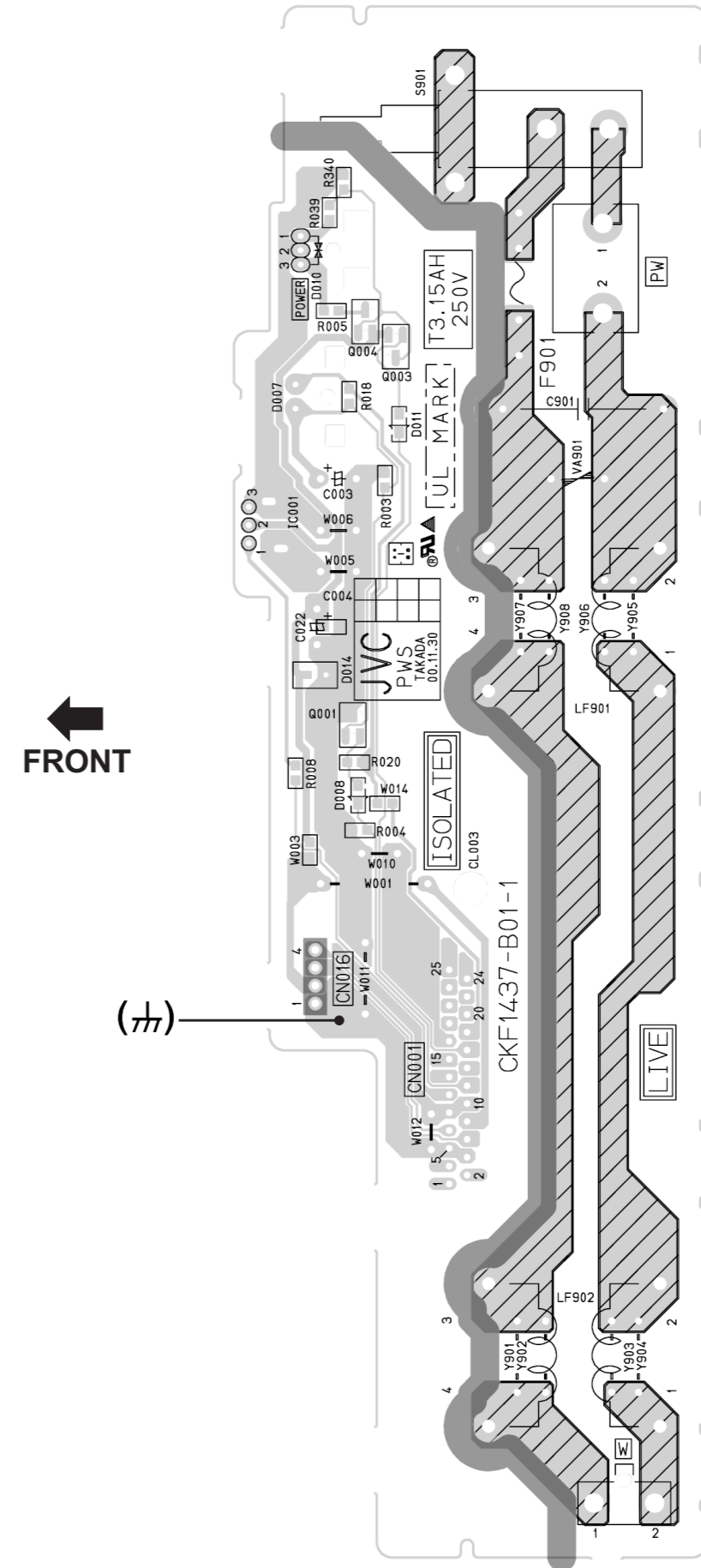
IC

BOTTOM VIEW	FRONT VIEW			TOP VIEW

CHIP IC

TOP VIEW	

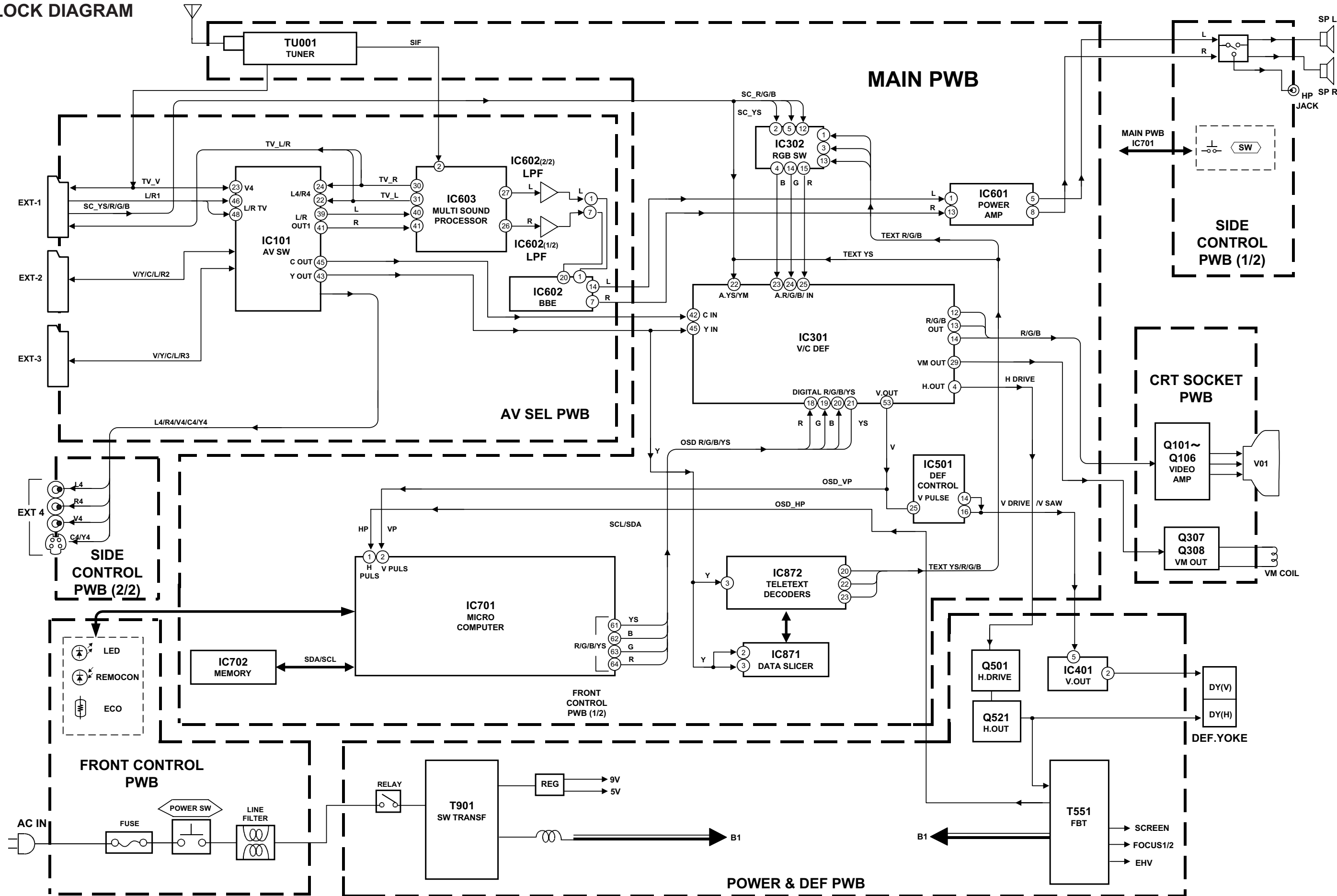
FRONT CONTROL PWB PATTERN



BLOCK DIAGRAM

AV28S2EKGR
AV28S2EKBL
AV28S2EIGR
AV28S2EIBL

AV28S2EKGR
AV28S2EKBL
AV28S2EIGR
AV28S2EIBL

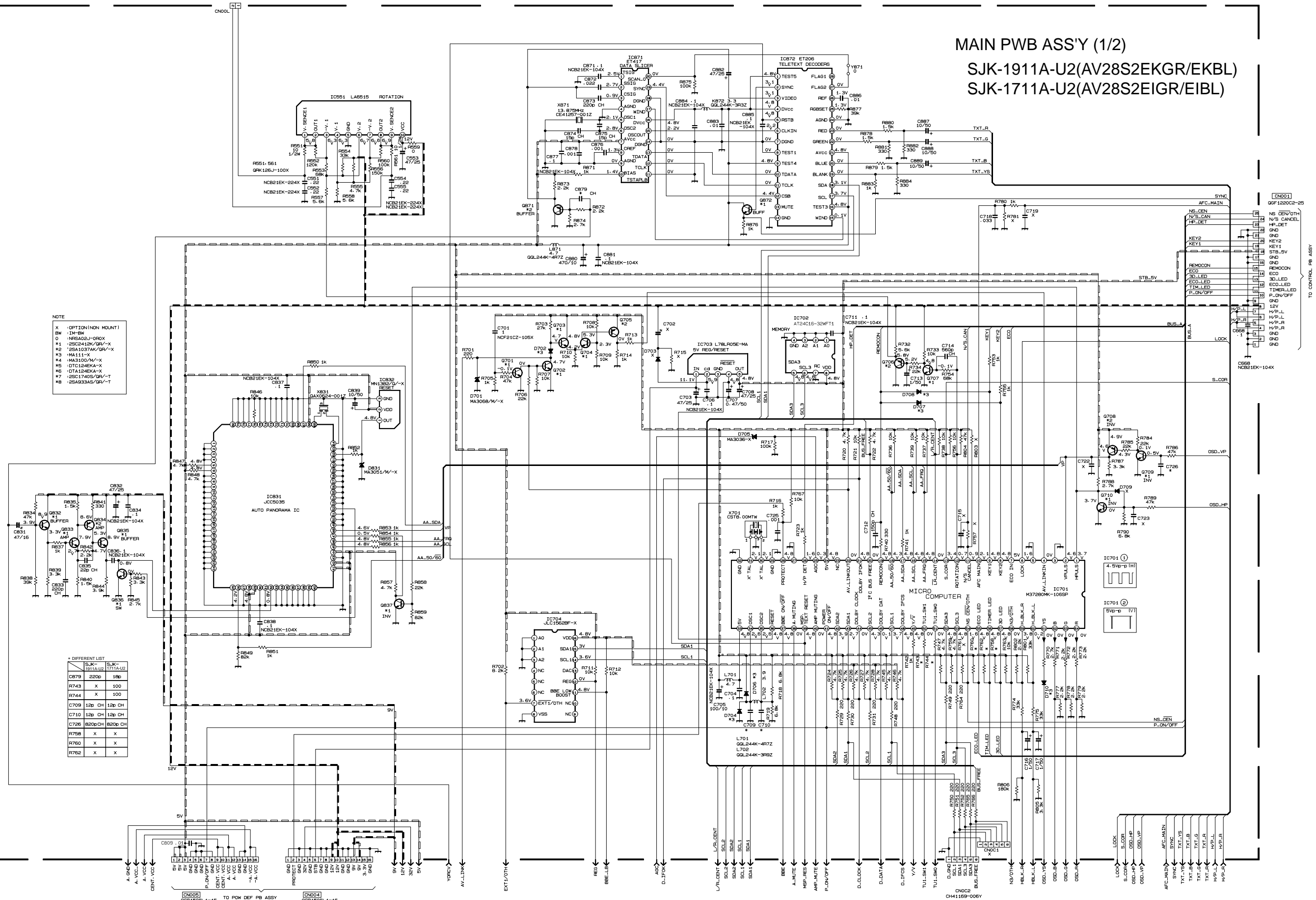


CIRCUIT DIAGRAMS MAIN PWB CIRCUIT DIAGRAM

AV28S2EKGR
AV28S2EKBL
AV28S2EIGR
AV28S2EIBL

AV28S2EKGR
AV28S2EKBL
AV28S2EIGR
AV28S2EIBL

MAIN PWB ASS'Y (1/2)
SJK-1911A-U2(AV28S2EKGR/EKBL)
SJK-1711A-U2(AV28S2EIGR/EIBL)



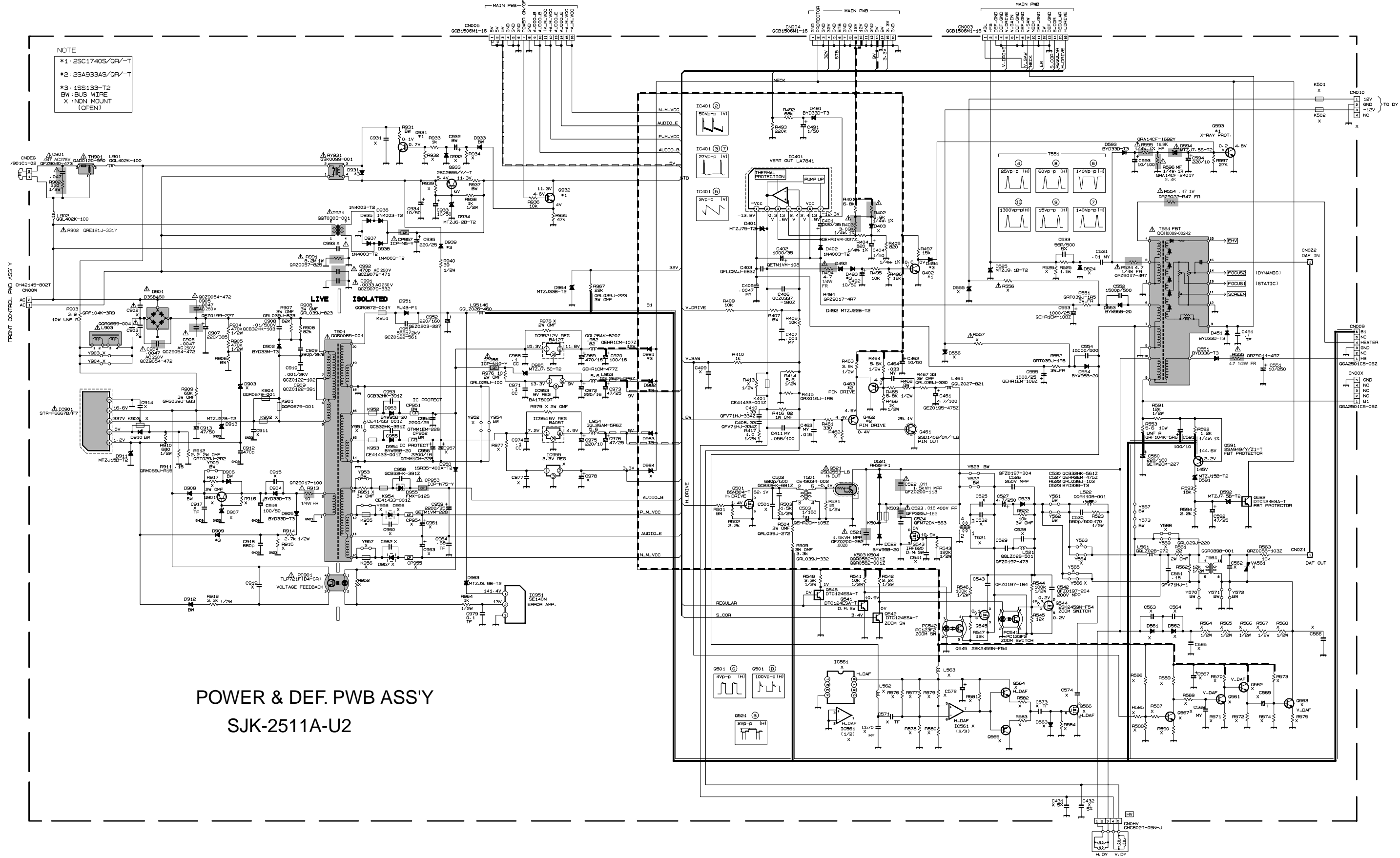
NOTE

- X - OPTION(NON MOUNT)
- BW - IM-BW
- O - NRSAG2J-0R0X
- #1 - 2SC2412K/GR/-X
- #2 - 2SA1037AK/GR/-X
- #3 - MA111-X
- #4 - MA3100M/-X
- #5 - DT1242KA-X
- #6 - DT1242KA-X
- #7 - 2SC1740S/GR/-T
- #8 - 2SA833AS/GR/-T

* DIFFERENT LIST

15-K-1811A-U2	SJK-1711A-U2
CB79	220p 10p
R743	X 100
R744	X 100
C709	12p CH 12p CH
C710	12p CH 12p CH
C726	820p CH 820p CH
R758	X X
R760	X X
R762	X X

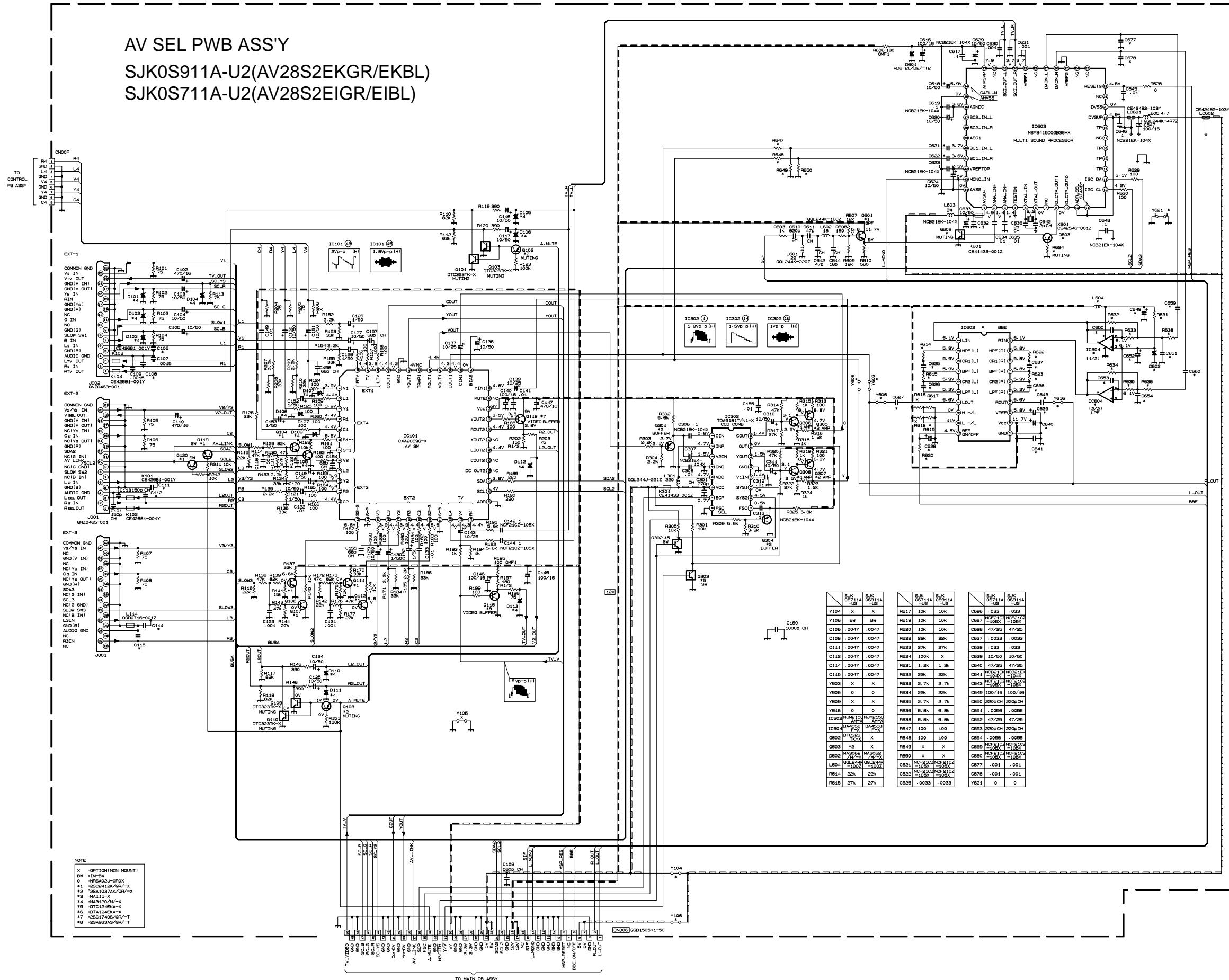
POWER & DEF PWB CIRCUIT DIAGRAM



POWER & DEF. PWB ASS'Y
 SJK-2511A-U2

AV SEL. PWB CIRCUIT DIARAM

AV SEL PWB ASS'Y
 SJK0S911A-U2(AV28S2EKGR/EKBL)
 SJK0S711A-U2(AV28S2EIGR/EIBL)



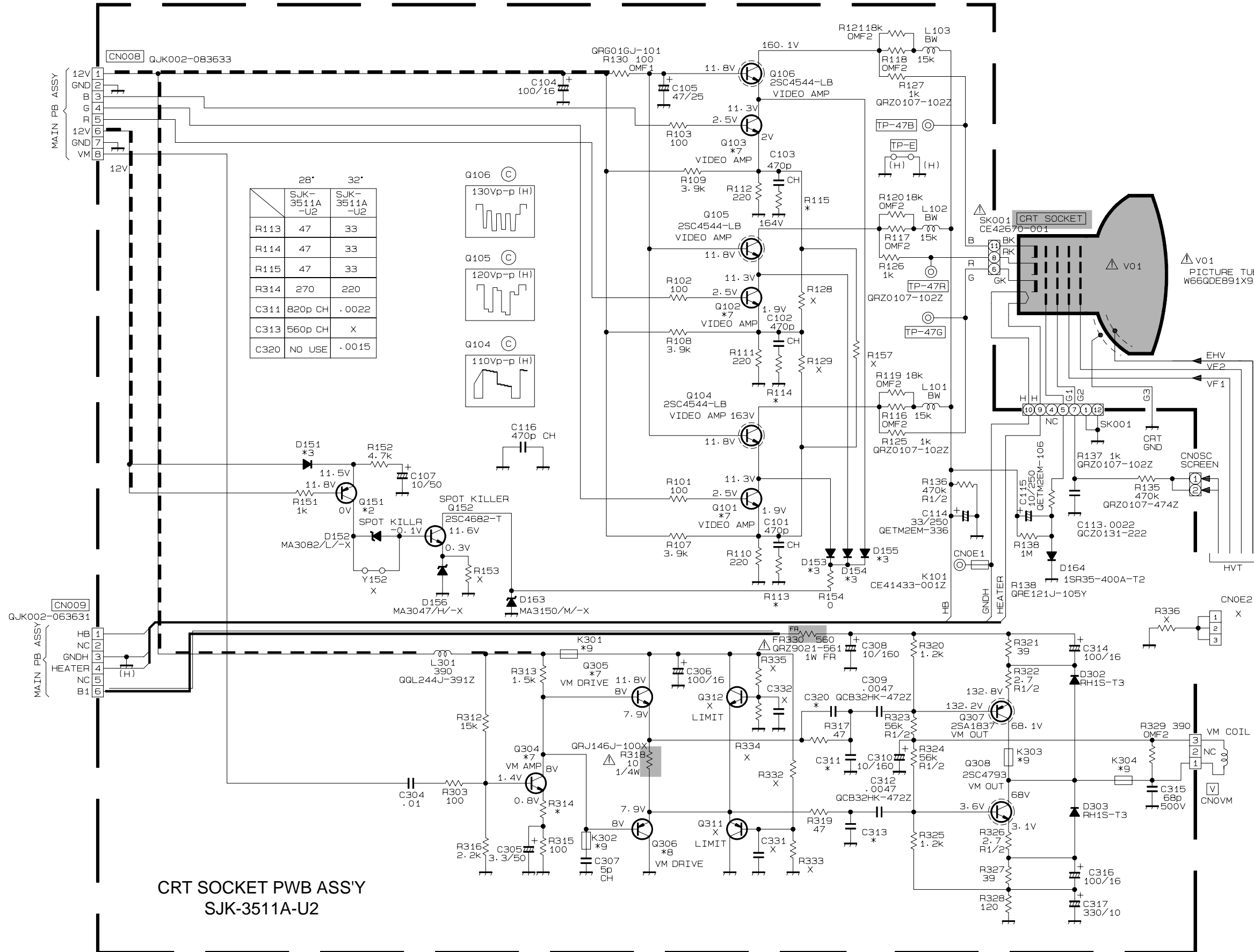
NOTE
 X OPTION(NON MOUNT)
 BW 12M-BW
 O NPSA02J-ORX
 #1 25C2412K/GRV-X
 #2 25A1027AK/GRV-X
 #3 MA111-X
 #4 MA3320P-V-X
 #5 DTC124EKA-X
 #6 DTA124EKA-X
 #7 SSC17A02/GRV-T
 #8 25A933AS/GRV-T

S.P.	S.P.	S.P.	S.P.
05711A	05811A	05711A	05811A
LS	LS	LS	LS
Y104	X	X	
Y106	BW	BW	
C106	.0047	.0047	
C108	.0047	.0047	
C111	.0047	.0047	
C112	.0047	.0047	
C114	.0047	.0047	
C115	.0047	.0047	
Y803	X	X	
Y806	O	O	
Y809	X	X	
Y816	O	O	
IC602	N4215S	N4215S	
IC603	BA4958	BA4958	
IC804	TK-X	F-X	
Q202	TK-X	X	
Q203	4E	X	
D202	MA3062	MA3062	
L204	02.244K	02.244K	
L204	-100Z	-100Z	
R114	22K	22K	
R115	27K	27K	
R617	10K	10K	
R619	10K	10K	
R620	10K	10K	
R622	22K	22K	
R623	27K	27K	
R624	100K	X	
R625	1.2K	1.2K	
R626	22K	22K	
R627	2.7K	2.7K	
R628	2.7K	2.7K	
R629	2.7K	2.7K	
R630	5.6K	5.6K	
R631	5.6K	5.6K	
R632	100	100	
R633	100	100	
R634	100	100	
R635	X	X	
R636	X	X	
R637	100	100	
R638	100	100	
R639	100	100	
R640	100	100	
R641	100	100	
R642	100	100	
R643	100	100	
R644	100	100	
R645	100	100	
R646	100	100	
R647	100	100	
R648	100	100	
R649	100	100	
R650	100	100	
R651	100	100	
R652	100	100	
R653	100	100	
R654	100	100	
R655	100	100	
R656	100	100	
R657	100	100	
R658	100	100	
R659	100	100	
R660	100	100	
R661	100	100	
R662	100	100	
R663	100	100	
R664	100	100	
R665	100	100	
R666	100	100	
R667	100	100	
R668	100	100	
R669	100	100	
R670	100	100	
R671	100	100	
R672	100	100	
R673	100	100	
R674	100	100	
R675	100	100	
R676	100	100	
R677	100	100	
R678	100	100	
R679	100	100	
R680	100	100	
R681	100	100	
R682	100	100	
R683	100	100	
R684	100	100	
R685	100	100	
R686	100	100	
R687	100	100	
R688	100	100	
R689	100	100	
R690	100	100	
R691	100	100	
R692	100	100	
R693	100	100	
R694	100	100	
R695	100	100	
R696	100	100	
R697	100	100	
R698	100	100	
R699	100	100	
R700	100	100	

AV28S2EKGR
AV28S2EKBL
AV28S2EIGR
AV28S2EIBL

AV28S2EKGR
AV28S2EKBL
AV28S2EIGR
AV28S2EIBL

CRT SOCKET PWB CIRCUIT DIAGRAM



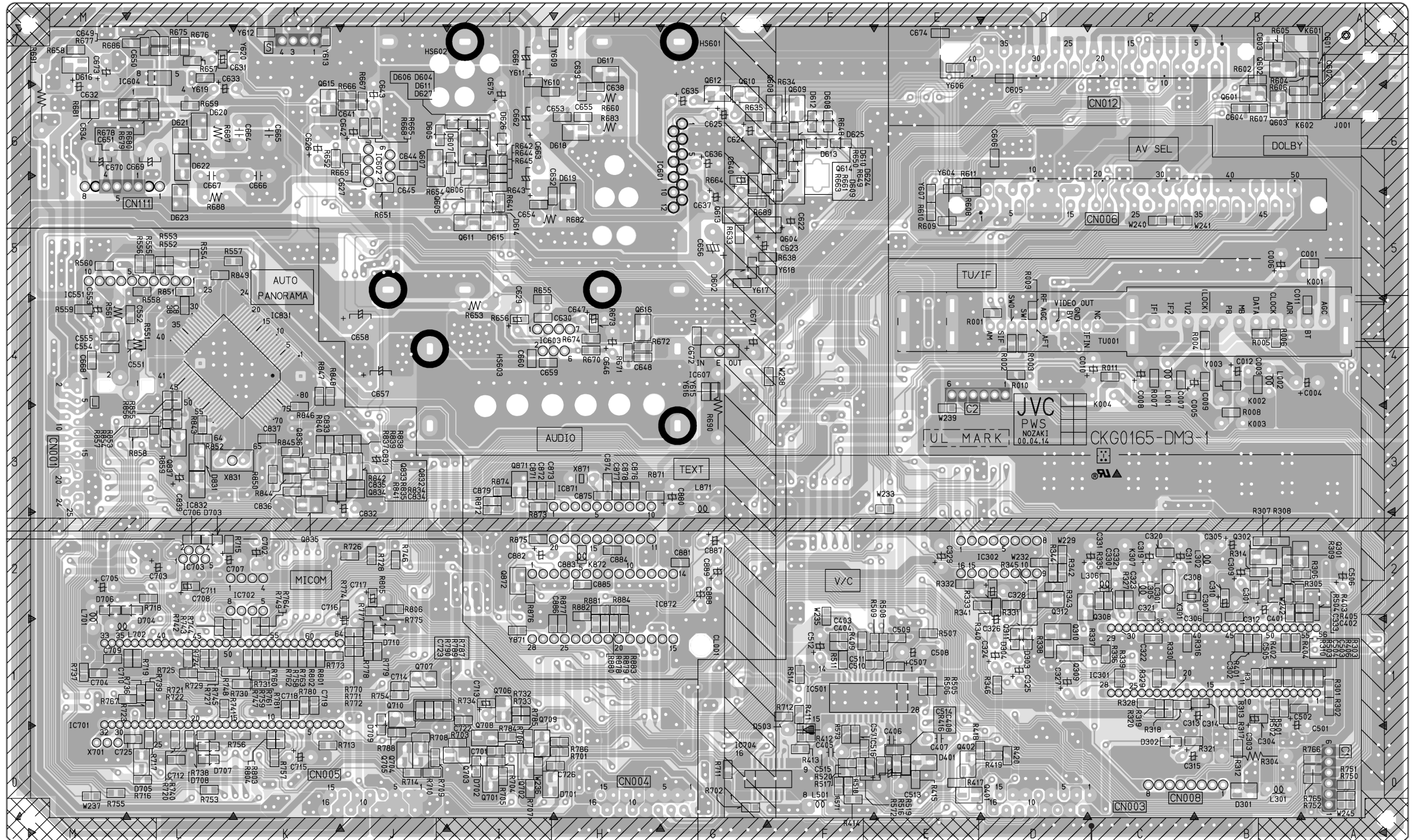
- NOTE
- X : OPTION (NON MOUNTED)
 - BW : IM-BW
 - 0 : NRSA02J-OR0X
 - *1 : 2SC2412K/QR/-X
 - *2 : 2SA1037AK/QR/-X
 - *3 : MA111-X
 - *4 : MA3100/M/-X
 - *5 : DTC124EKA-X
 - *6 : DTA124EKA-X
 - *7 : 2SC1740S/QR/-T
 - *8 : 2SA933AS/QR/-T
 - *9 : CE41492-001Z
 - *10 : CEHP00N-001Q
 - ⊥ : LOW B GND
 - (H) : HIGH B GND

CRT SOCKET PWB ASS'Y
SJK-3511A-U2

PATTERN DIAGRAMS
MAIN PWB PATTERN

AV28S2EKGR AV28S2EKGR
 AV28S2EKBL AV28S2EKBL
 AV28S2EIGR AV28S2EIGR
 AV28S2EIBL AV28S2EIBL

← **FRONT**

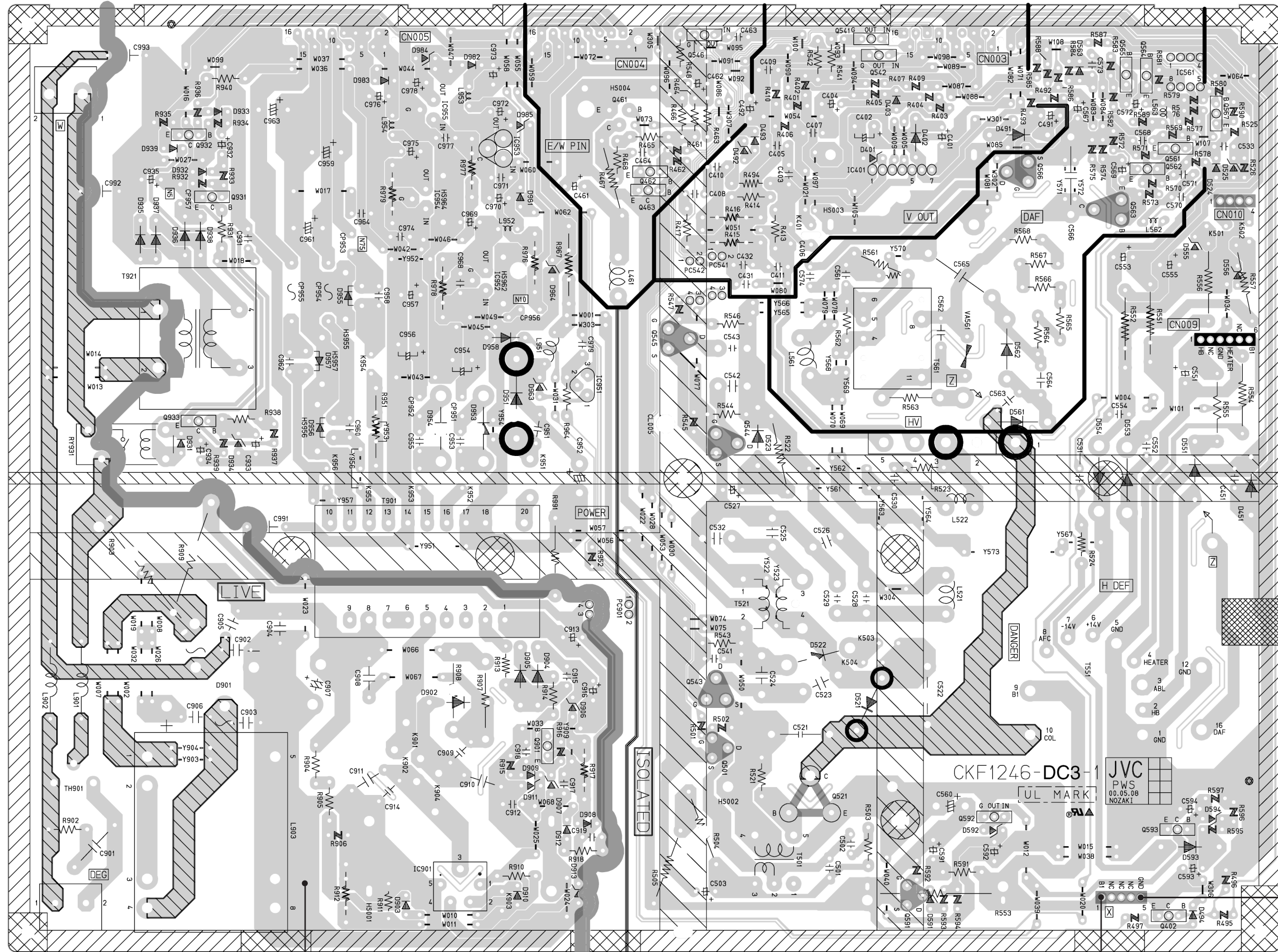


POWER & DEF PWB PATTERN

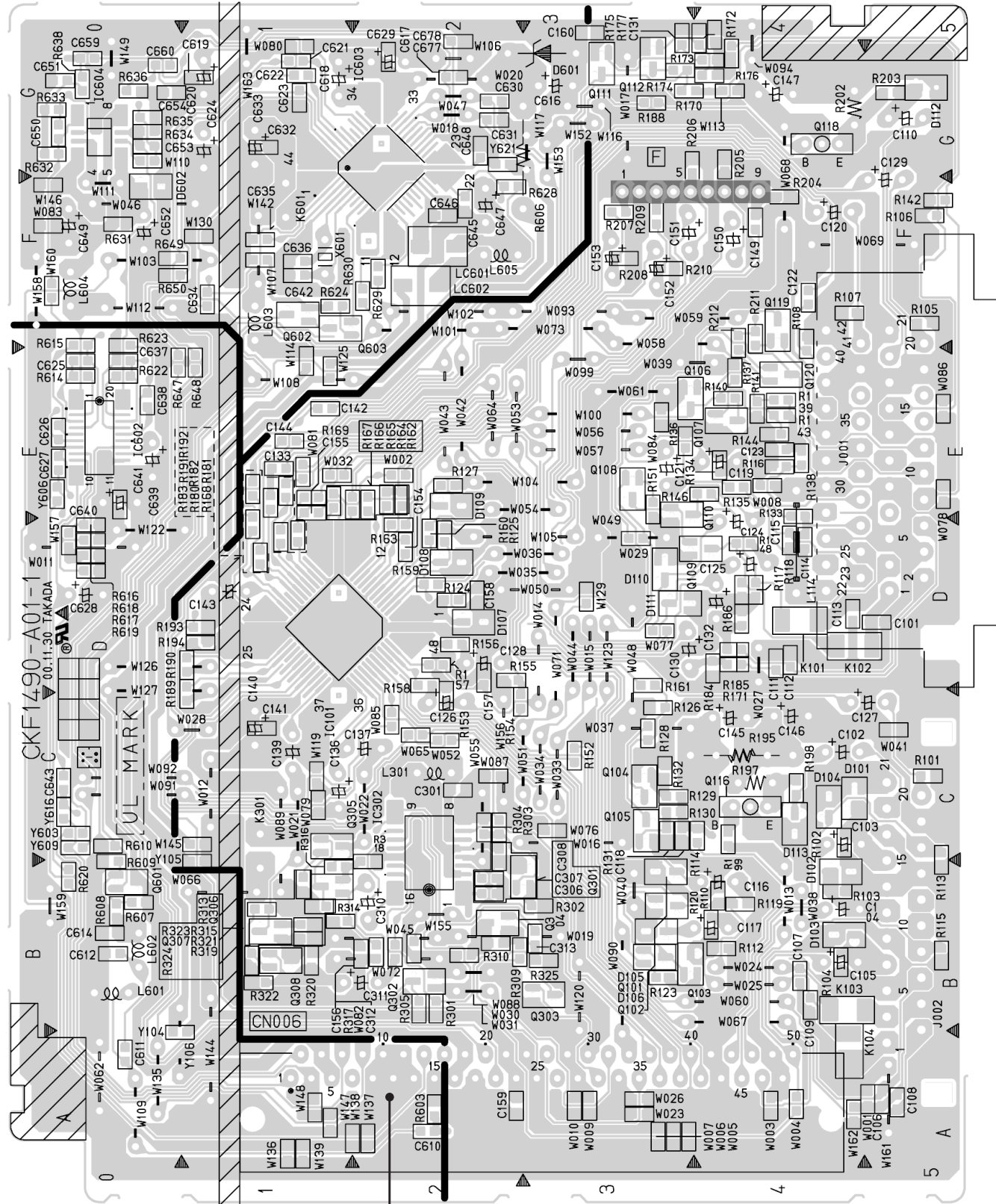
AV28S2EKGR
AV28S2EKBL
AV28S2EIGR
AV28S2EIBL

AV28S2EKGR
AV28S2EKBL
AV28S2EIGR
AV28S2EIBL

FRONT



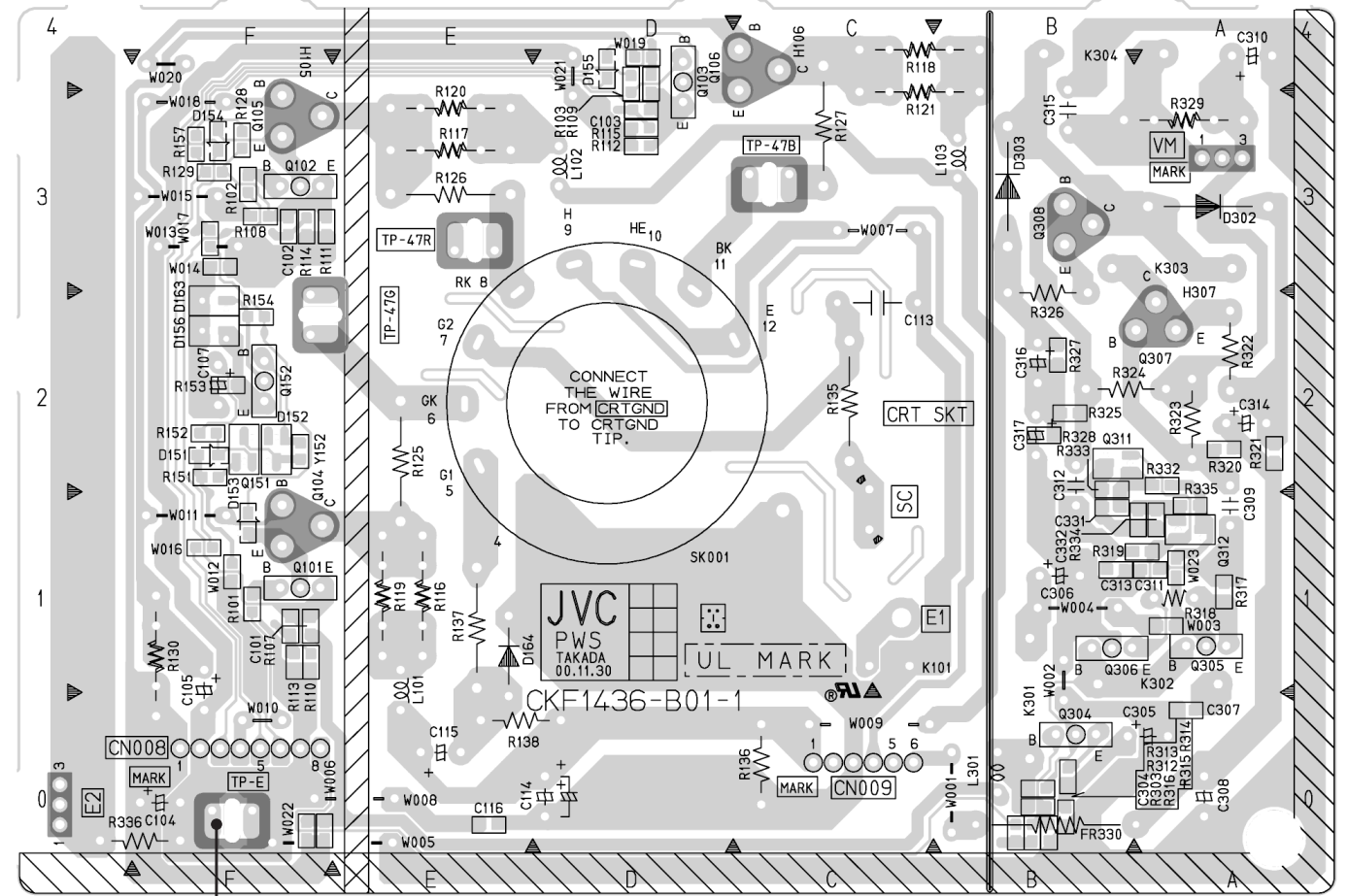
AV SEL. PWB PATTERN



No.51777

2-21

AV28S2EKGR
AV28S2EKBL
AV28S2EIGR
AV28S2EIBL
CRT SOCKET PWB PATTERN



No.51777

2-22



JVC

VICTOR COMPANY OF JAPAN, LIMITED

HOME AV NETWORK BUSINESS UNIT 1106 Heta, Iwai-city, Ibaraki-prefecture, 306-0698, Japan



Printed in Japan
VP 0103
DP2051